

# MEMOLUB® EM



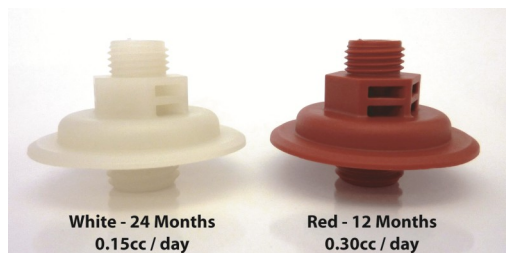
## Single-Point Automatic Lubricator Designed for Electric Motors

### General Description

The MEMOLUB® EM is a reusable, battery powered, electro-mechanical lubricator designed for single-point applications that require small amounts of lubricant over a long period of time. The MEMOLUB® EM uses the same proven mechanical design as existing MEMOLUB® models but in a lower output pressure version and with a highly simplified programming method. It's constant 140psi lubricant output pressure allows the unit to be direct mounted or remote mounted up to 6 feet away from the lube point. It is currently available in a 120cc model. The MEMOLUB® EM is self-contained with no external wiring required and can be used plant wide on a variety of applications.

### Programming the ONE

The MEMOLUB® EM daily lubricant output is programmed using the simple LPS MEMO system. The Red and White timing MEMOs determine how long it takes to empty the lubricant cartridge. There are two basic time settings 12 and 24 months ideally suited for electric motors. Once the appropriate LPS MEMO is installed, the program is retained in the MEMO fitting allowing the user to install a different MEMOLUB® EM lubricator and follow the same output program.



Once the appropriate LPS MEMO is installed, the program is retained in the MEMO fitting allowing the user to install a different MEMOLUB® EM lubricator and follow the same output program.

### Operation

The MEMOLUB® EM metered positive displacement pump has been primed before shipment and is ready for use. On first installation, all fittings, lube lines and bearings should be pre-charged with the same lubricant that was ordered with the MEMOLUB® EM lubricator. Next, install the appropriate LPS MEMO fitting with the metal adapter on your lube point. Screw the MEMOLUB® EM on the MEMO fitting. The unit will cycle once and proceed to follow the program setting. Periodic visual inspection is recommended for all MEMOLUB® lubricators.

When the lubricant cartridge is empty, unscrew the MEMOLUB® EM lubricator from the MEMO fitting. Place the unit on a firm surface, outlet end down. Push down on the clear plastic housing while turning the black plastic locking ring counter-clockwise. The housing and spring assembly will separate from the pump base. Remove the empty cartridge and battery pack and replace with a new one.



Ask about our related products

- Pre-filled Nylon Tubing
- Installation Parts
- Protective Cover
- Mounting Brackets

### Lubricator Part Number

- MLEM120  
(1/4"NPT Adapter)
- MLEM120-8  
(1/8"NPT Adapter)

Lubricant Cartridge Kit  
Sold Separately



PLI, LLC

1509 Rapids Dr.

Racine, WI 53404

800.635.8170 Toll-Free

262.637.8170 Local

262.637.4090 Fax

# MEMOLUB® ONE

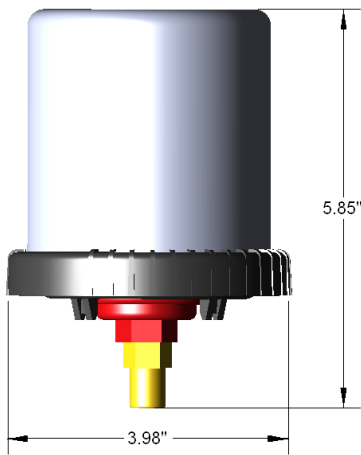


## Single-Point Automatic Lubricator Designed for Electric Motors

### Specifications

Operation:	Electro-Mechanical, Positive displacement pump
Lubricant cartridge capacity:	120cc (Replaceable)
Compatible lubricants:	Oils or Grease (to NLGI #2)
Connection thread:	1/4 R Male (1/8" or 1/4"NPT Adapter included)
Max operating pressure:	140psi (10 bar)
Temperature range:	5°F to 120°F (-15°C to 50°C)
Output timing settings:	12 or 24 month settings
Power supply:	4.5VDC Alkaline battery pack
External On/Off Control	No
Remote installation:	Up to 6 feet (2 meters)
Reusable:	Yes
Multi-Point capable:	No
Warranty:	3 Year limited

\*Maximum lube line length is dependent on ambient temperature, grease type and application back pressure.



### Typical Applications

- *Electric Motors*
- *Pumps*
- *Fans*
- *Conveyors*
- *General plant-wide lubrication*

### Application Photo



### Motor application



### Protective Cover



**PLI, LLC**

**1509 Rapids Dr.**

Racine, WI 53404

800.635.8170 Toll-Free

262.637.8170 Local

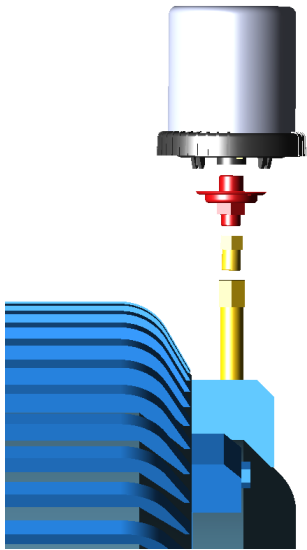
262.637.4090 Fax

# MEMOLUB® EM

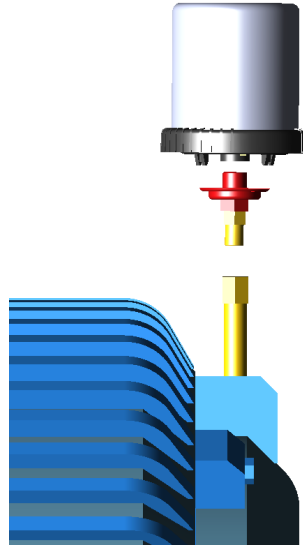


Single-Point Automatic Lubricator Designed for Electric Motors

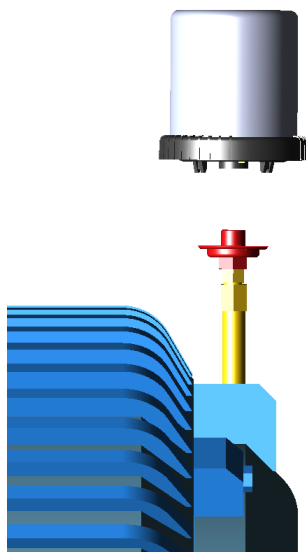
## Installation Instructions



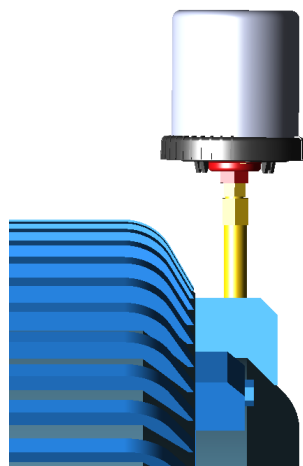
The MEMOLUB® EM is easy to install.



**Step 1** – Hand tighten the plastic MEMO fitting into the metal adapter.



**Step 2**– Install the metal adapter onto the lube point.



**Step 3** – Screw the MEMOLUB® EM lubricator onto the plastic MEMO fitting.



PLI, LLC

1509 Rapids Dr.

Racine, WI 53404

800.635.8170 Toll-Free

262.637.8170 Local

262.637.4090 Fax